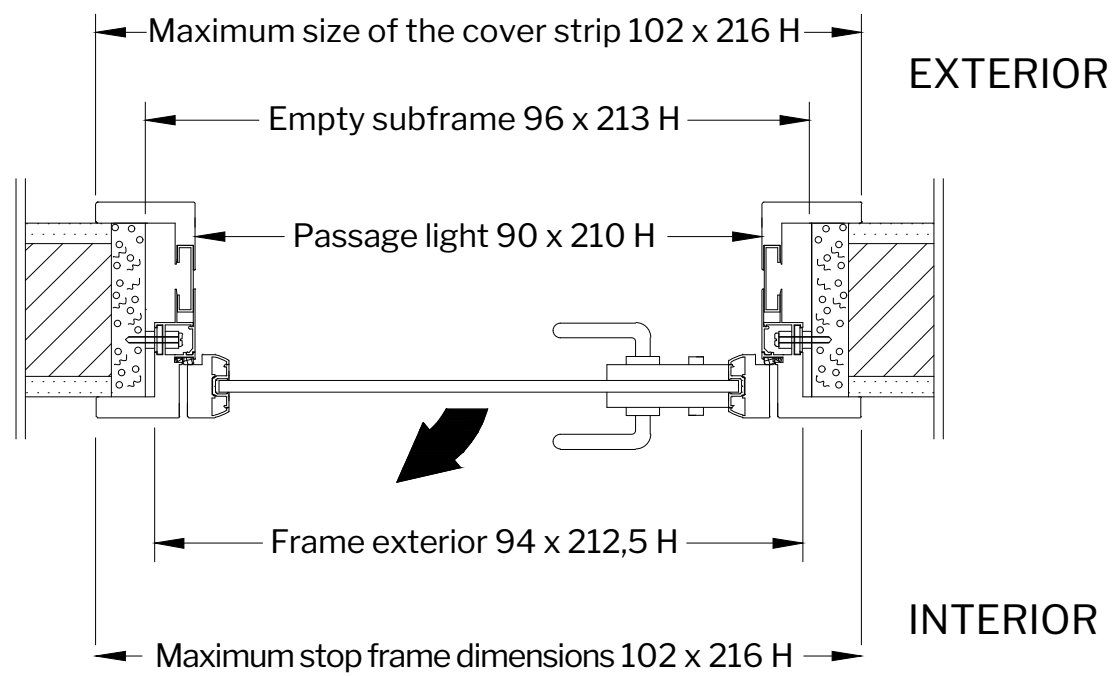
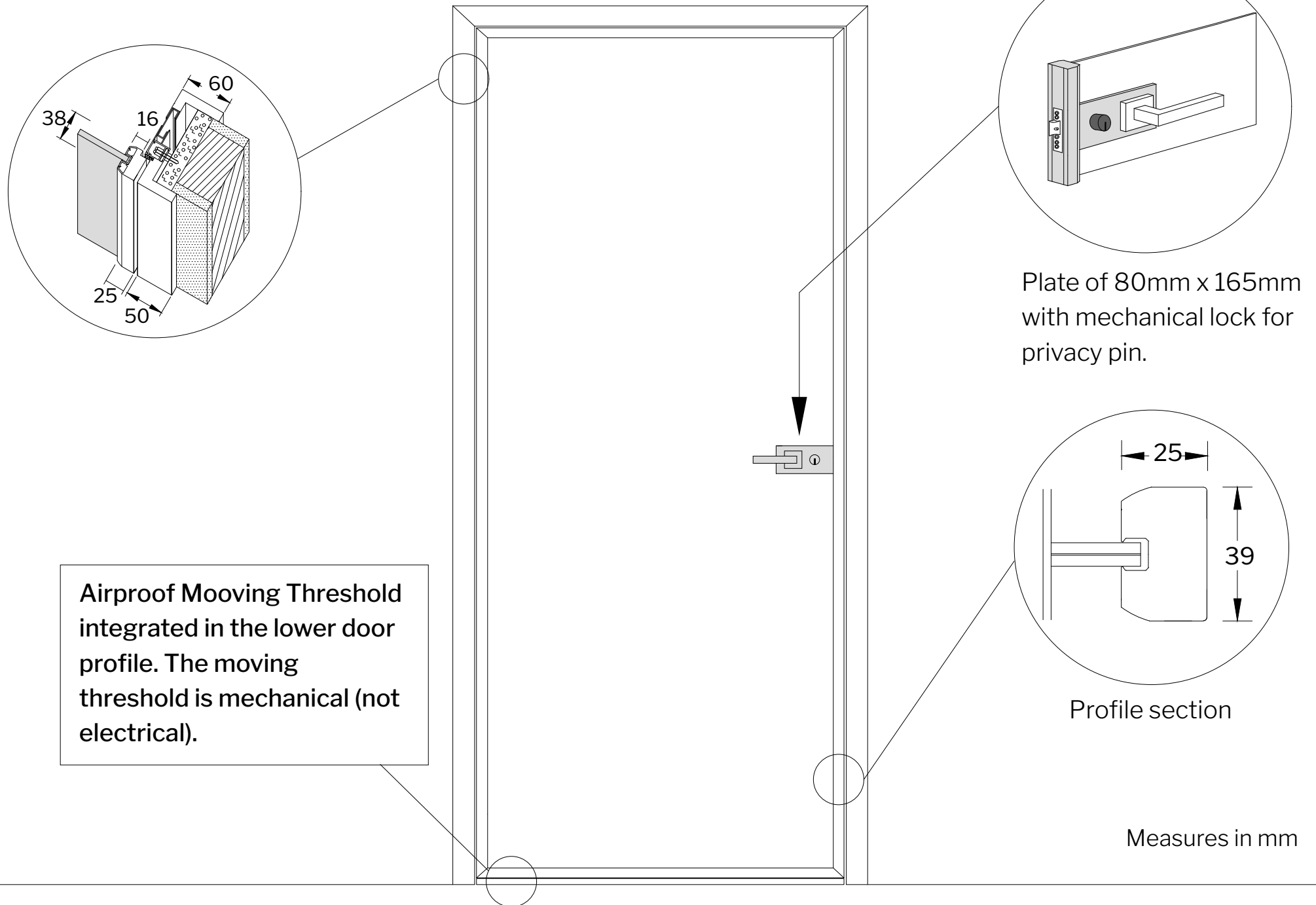


Floor plan layout of the TeL Design 9
single-leaf in-wall sliding door

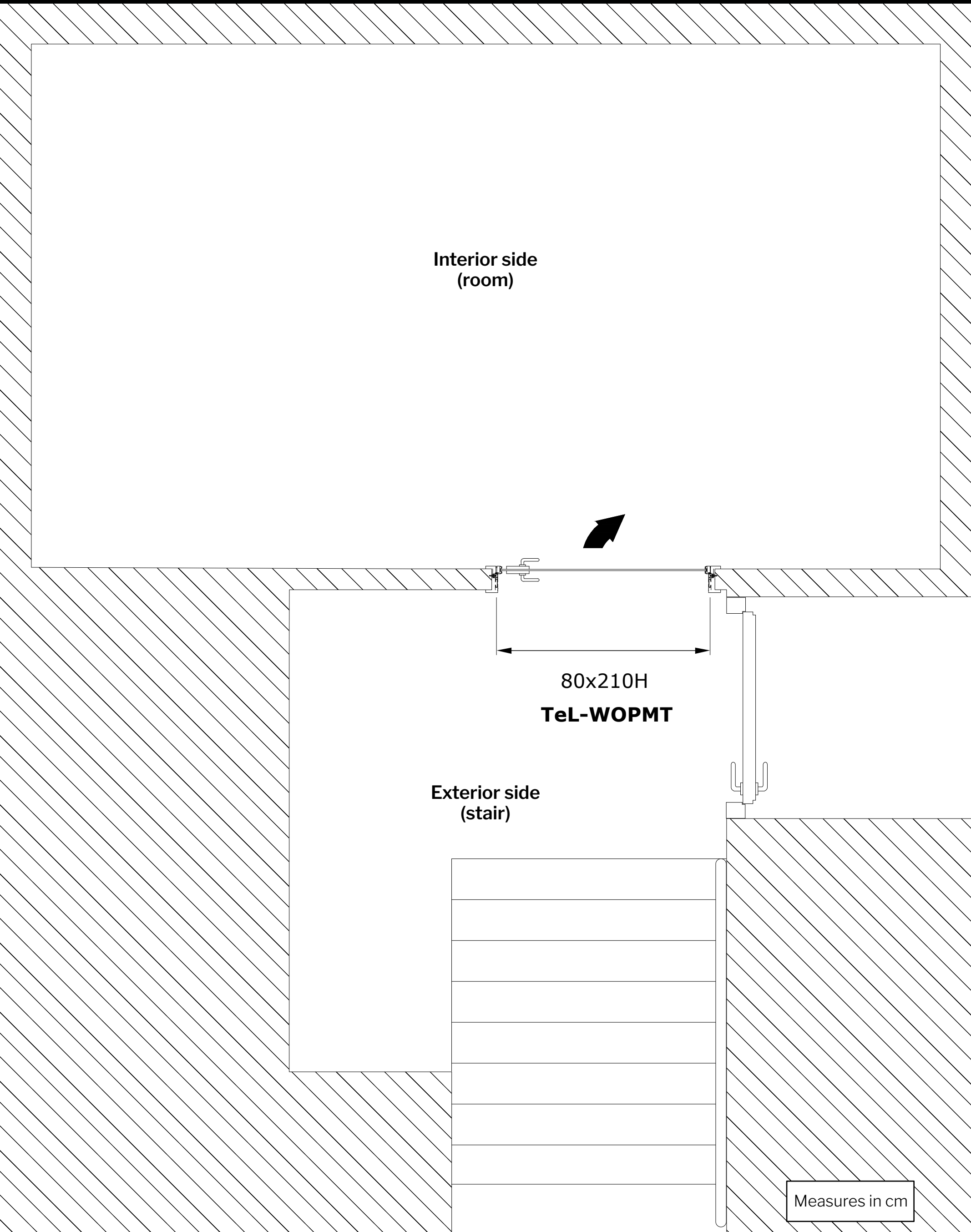
Measures in cm

SECTIONS AND MEASURES

TeL-WPMT (With Pin and Moving Threshold)

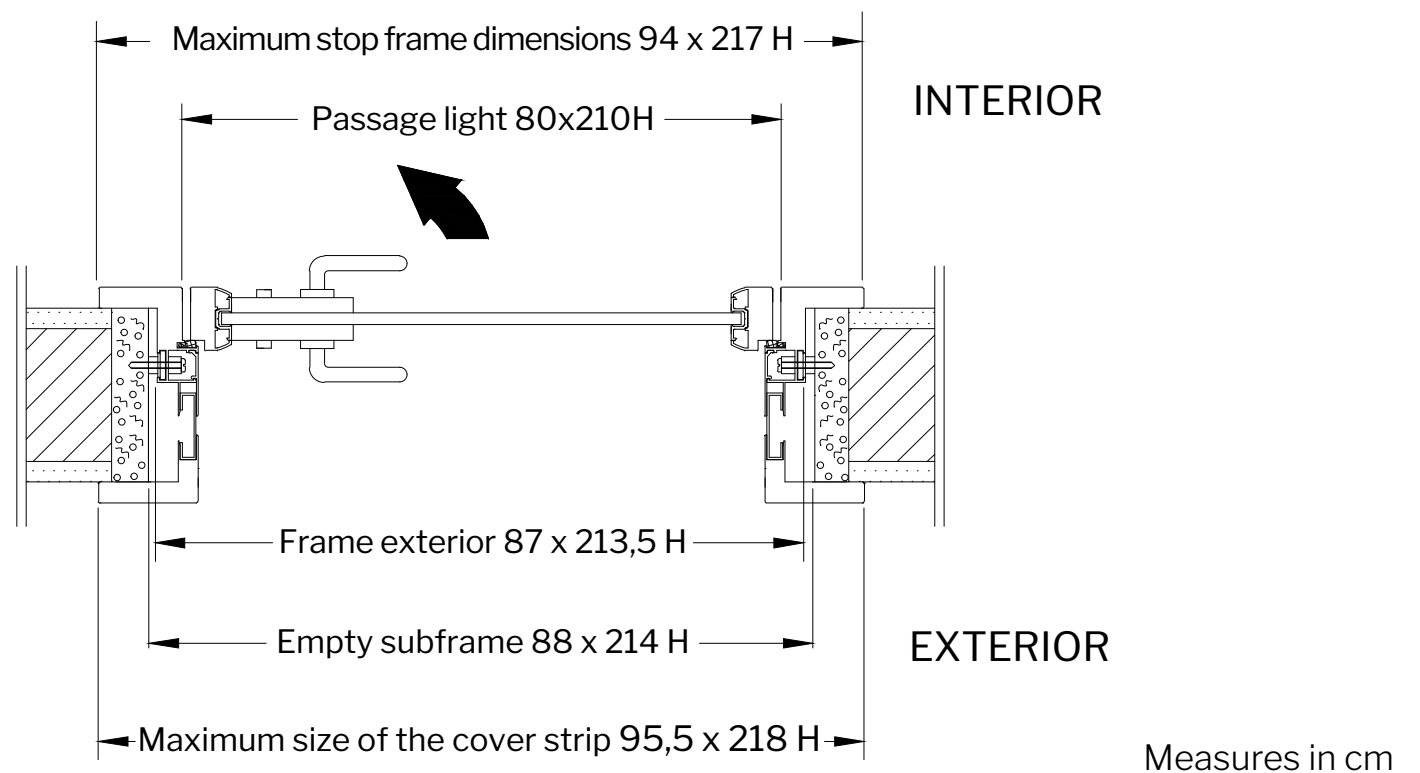
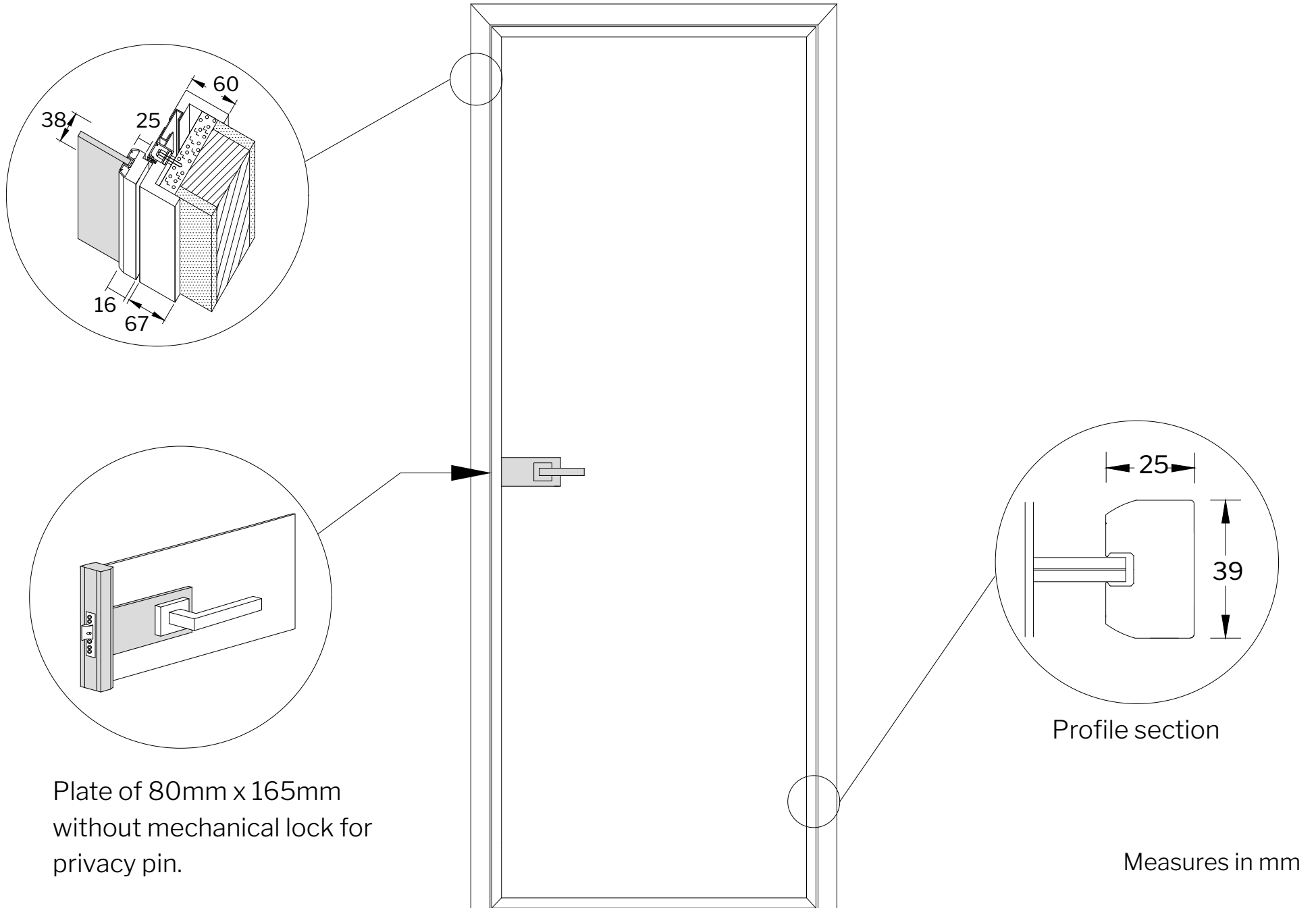


Measures in cm



SECTIONS AND MEASURES

TeL-WOPMT (Without Pin and Moving Threshold)



HORIZONTAL AND VERTICAL WANDS

Our TeL Design 9 has no horizontal or vertical wands.

HOW TO ORDER ON DOORFINESSE

Click on the link below, or scan the code, to go directly to the purchase process page for our products.

[CLICK HERE TO FIND OUT HOW TO BUY](#)



(frame code to view page)

DELIVERY TIMES

Click on the link below, or scan the code, to go directly to the delivery time page for our products.

[CLICK HERE FOR DELIVERY TIMES](#)

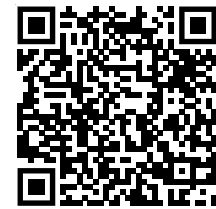


(frame code to view page)

TRANSPORT AND UNLOADING OF PRODUCTS

Click on the link below, or scan the code, to go directly to our product download page.

[CLICK HERE FOR UNLOADING PRODUCTS](#)



(frame code to view page)

WARRANTY AND RETURN POLICY

Click on the link below, or scan the code, to go directly to our product warranty page.

[CLICK HERE TO FIND OUT THE RETURN POLICY](#)

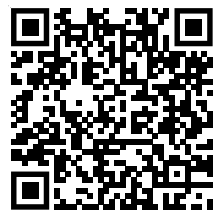


(frame code to view page)

HOW TO ASSESS THE QUALITY OF GLASS

Click on the link below, or scan the code, to go directly to the glass quality page of our products.

[CLICK HERE TO DISCOVER THE QUALITY OF GLASS](#)



(frame code to view page)

OUR SHOWROOM

Via Roma 234, 59100, Prato - Book your appointment: info@doorfinesse.com / +39 0574 630094

