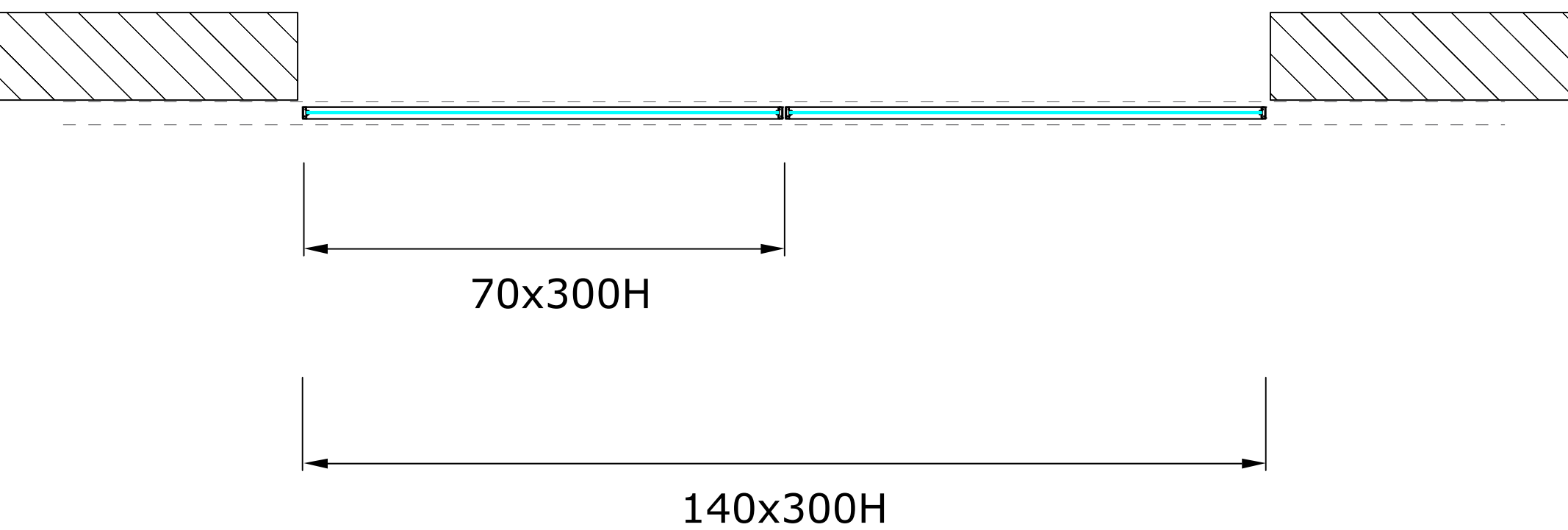




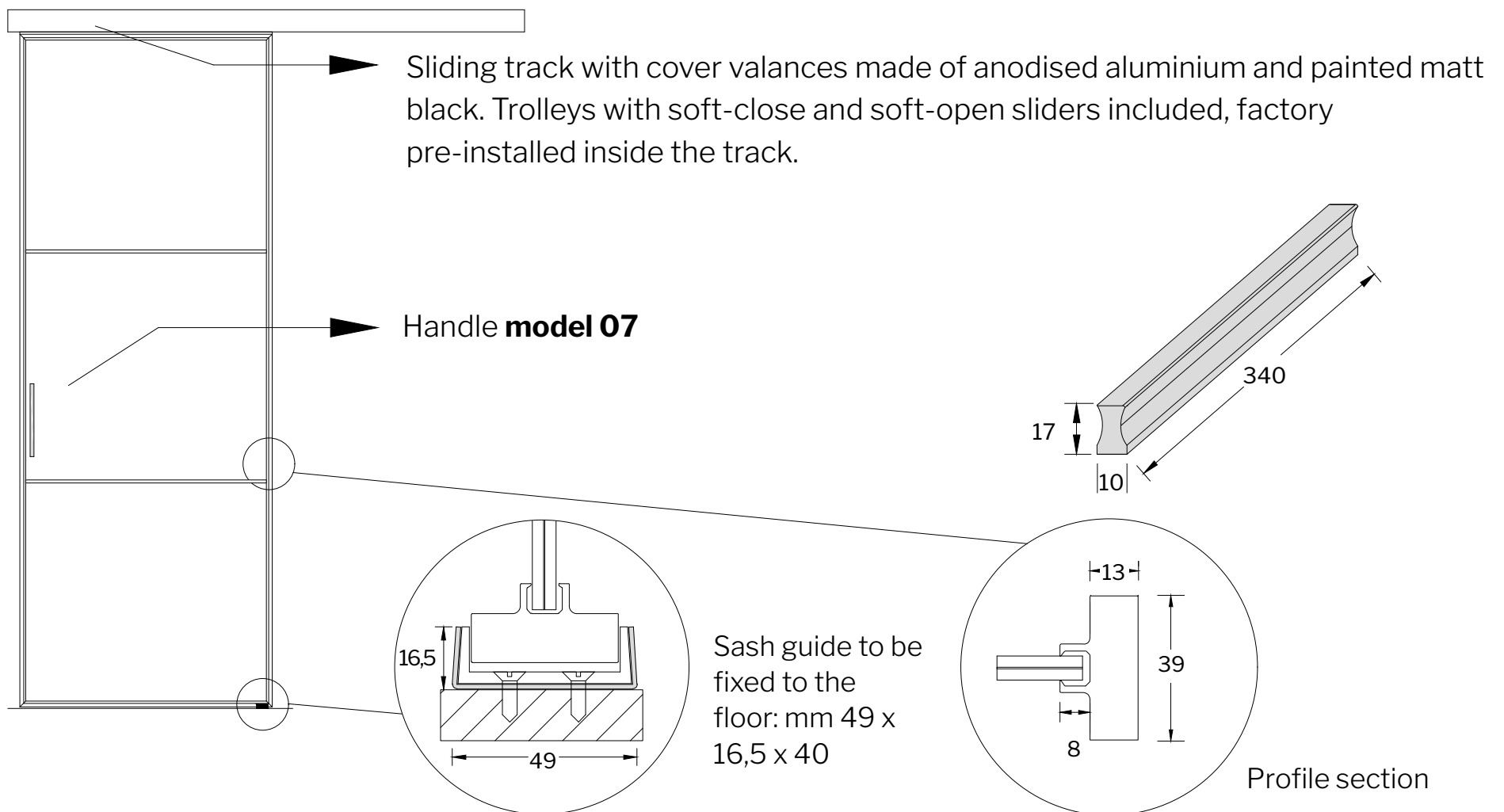
Kitchen side



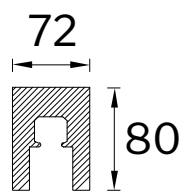
Dining room side

Floor plan layout of the T-ES Design 4,
external sliding wall door with 2
symmetrical opposite doors

Measures in cm

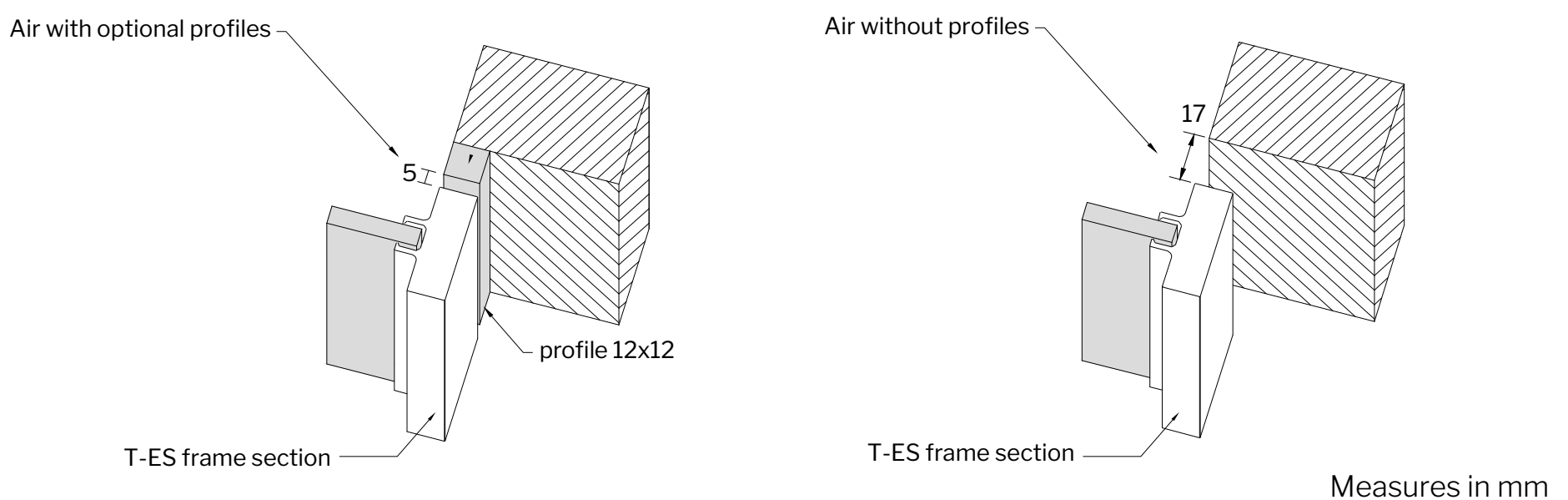


SECTION AND MEASUREMENTS OF ONE-WAY RUNNING TRACK



SECTION AND PROFILE MEASUREMENTS FOR AIR REDUCTION

It is possible to install a 12 x 12 mm section profile on the wall to reduce the air between the sash and the wall.



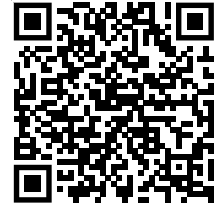
HORIZONTAL AND VERTICAL WANDS

Our model T-ES Design 4 has N° 2 horizontal crossbars for each door, in White Painted Aluminum RAL 9003. The crossbars are applied to the glass using a very strong, invisible adhesive.

HOW TO ORDER ON DOORFINESSE

Click on the link below, or scan the code, to go directly to the purchase process page for our products.

CLICK HERE TO FIND OUT HOW TO BUY



(frame code to view page)

DELIVERY TIMES

Click on the link below, or scan the code, to go directly to the delivery time page for our products.

CLICK HERE FOR DELIVERY TIMES

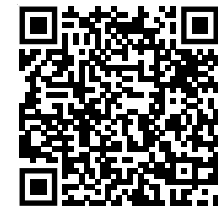


(frame code to view page)

TRANSPORT AND UNLOADING OF PRODUCTS

Click on the link below, or scan the code, to go directly to our product download page.

CLICK HERE FOR UNLOADING PRODUCTS



(frame code to view page)

WARRANTY AND RETURN POLICY

Click on the link below, or scan the code, to go directly to our product warranty page.

CLICK HERE TO FIND OUT THE RETURN POLICY



(frame code to view page)

HOW TO ASSESS THE QUALITY OF GLASS

Click on the link below, or scan the code, to go directly to the glass quality page of our products.

CLICK HERE TO DISCOVER THE QUALITY OF GLASS



(frame code to view page)

OUR SHOWROOM

Via Roma 234, 59100, Prato - Book your appointment: info@doorfinesse.com / +39 0574 630094

