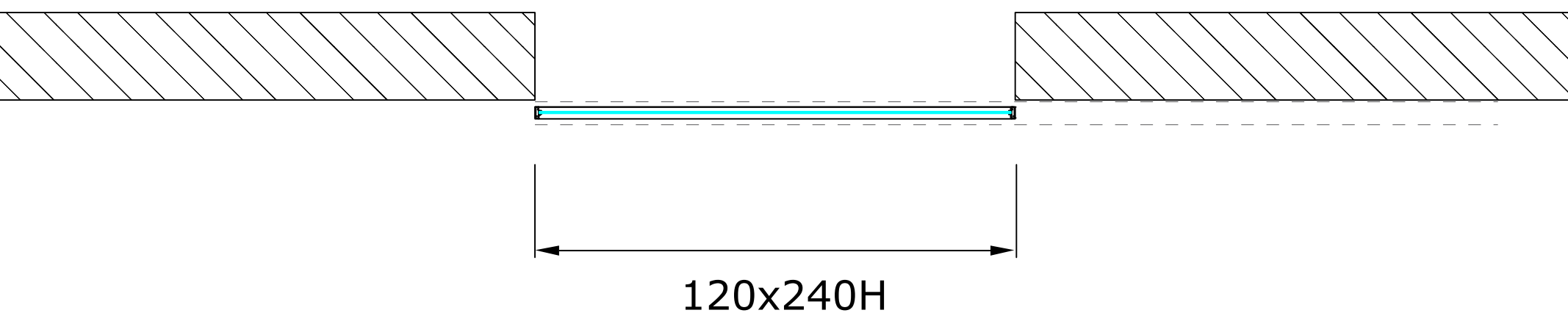




External side
(living area / entrance area / kitchen)

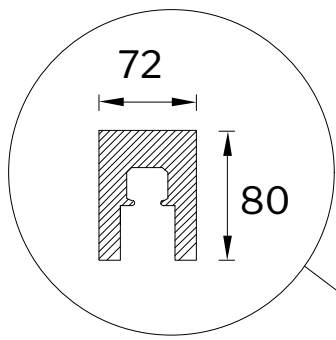


Interior side
(sleeping area / rooms / study)

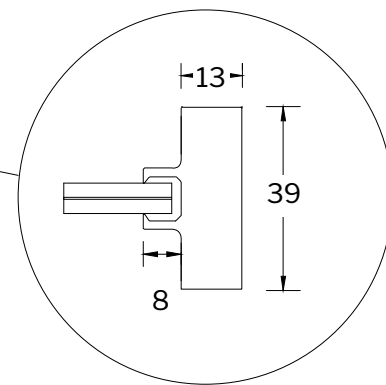
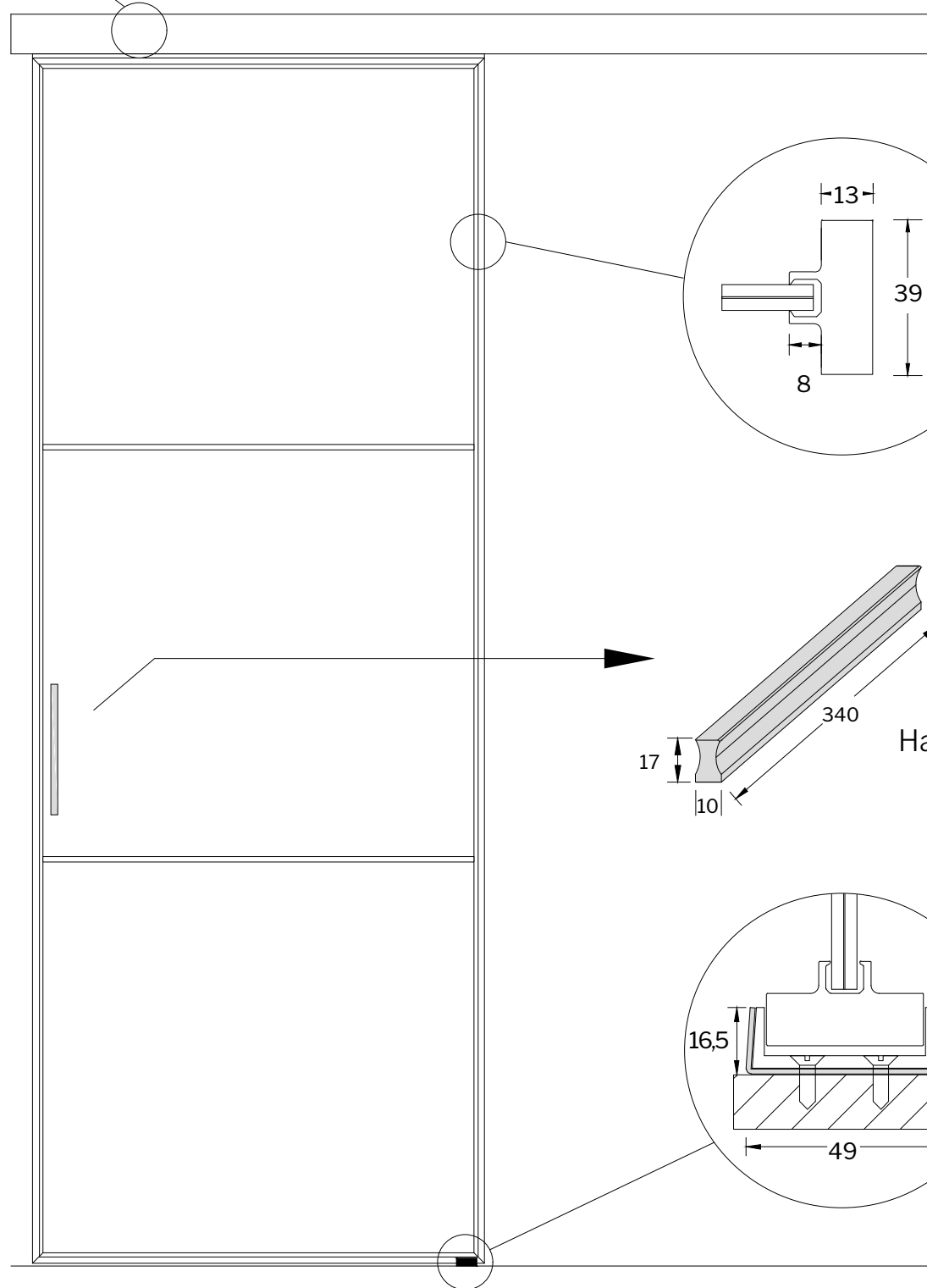
Floor plan layout of T-ES Design 3,
external single-panel sliding door

Measures in cm

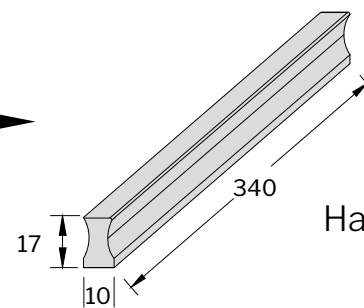
SECTIONS AND MEASURES OF THE SCORING



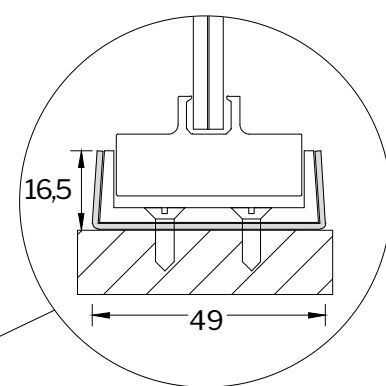
Sliding track with anodized and white painted aluminum cover valances. Carriages with soft-close on closing and soft-open on opening included, pre-installed at the factory inside the track.



Profile section



Handle **model 07**



Sash guide to be fixed to the floor: mm 49 x 16,5 x 40

Measures in mm

HORIZONTAL AND VERTICAL WANDS

Our model T-ES Design 3 has N° 2 horizontal crossbars for each door, in White Painted Aluminum RAL 9003. The crossbars are applied to the glass using a very strong, invisible adhesive.

HOW TO ORDER ON DOORFINESSE

Click on the link below, or scan the code, to go directly to the purchase process page for our products.

CLICK HERE TO FIND OUT HOW TO BUY



(frame code to view page)

DELIVERY TIMES

Click on the link below, or scan the code, to go directly to the delivery time page for our products.

CLICK HERE FOR DELIVERY TIMES

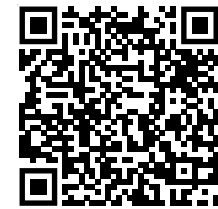


(frame code to view page)

TRANSPORT AND UNLOADING OF PRODUCTS

Click on the link below, or scan the code, to go directly to our product download page.

CLICK HERE FOR UNLOADING PRODUCTS



(frame code to view page)

WARRANTY AND RETURN POLICY

Click on the link below, or scan the code, to go directly to our product warranty page.

CLICK HERE TO FIND OUT THE RETURN POLICY



(frame code to view page)

HOW TO ASSESS THE QUALITY OF GLASS

Click on the link below, or scan the code, to go directly to the glass quality page of our products.

CLICK HERE TO DISCOVER THE QUALITY OF GLASS



(frame code to view page)

OUR SHOWROOM

Via Roma 234, 59100, Prato - Book your appointment: info@doorfinesse.com / +39 0574 630094

