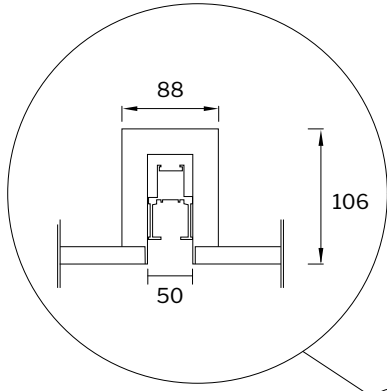


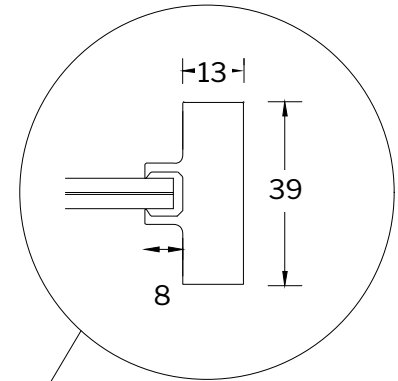
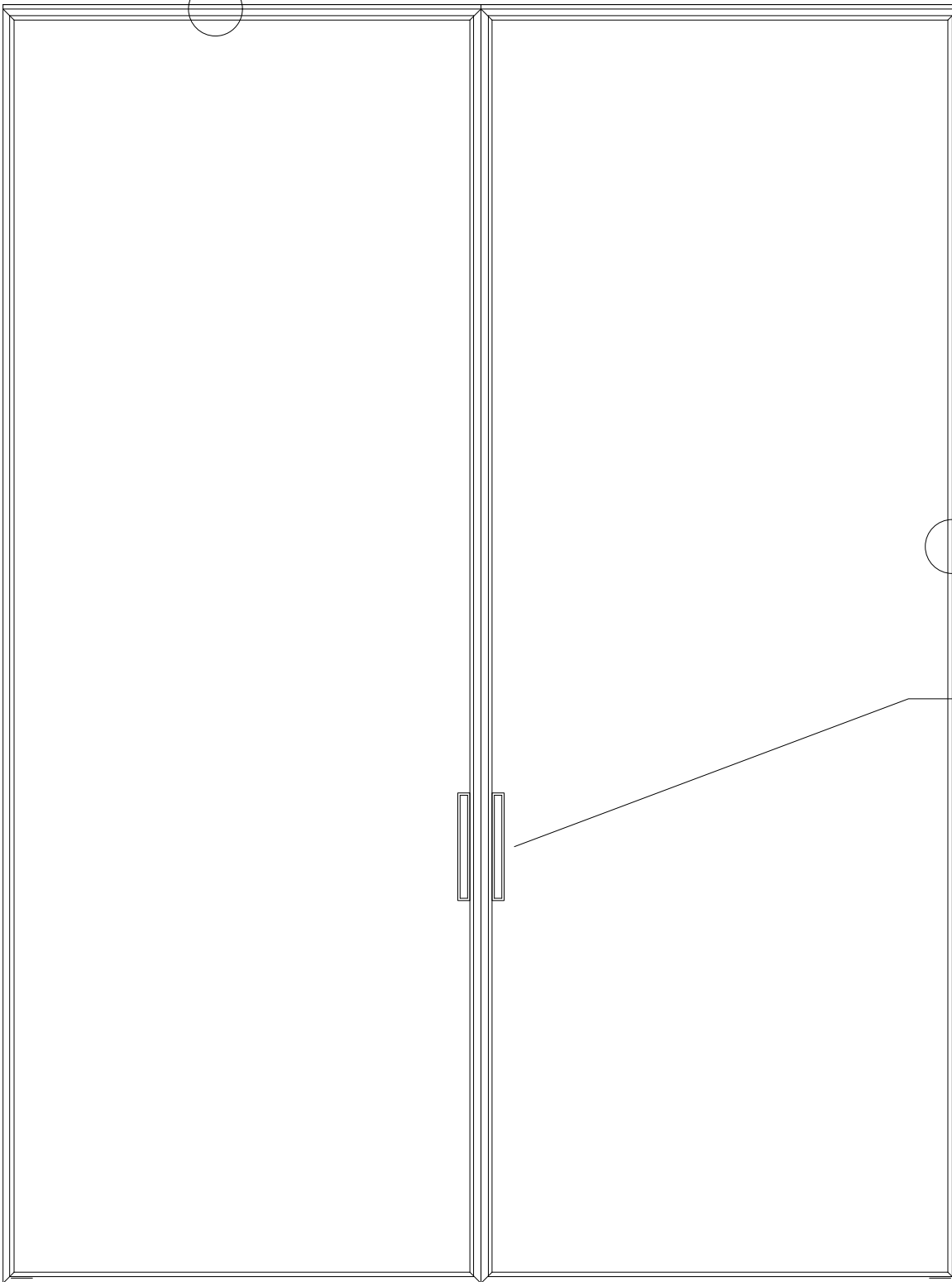
Floor plan layout of the T-ES Design 1,  
external sliding wall door with 2  
symmetrical opposite doors

Measures in cm

### SECTIONS AND MEASURES OF THE SCORING

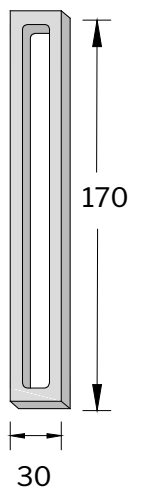
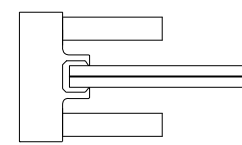


One-way sliding track recessed into the ceiling. Sliders with soft-close soft-close and soft-open soft-open included, factory pre-installed inside the tracks.



Profile section

**Model 17** handle made from CNC machined from aluminum billet.



### HORIZONTAL AND VERTICAL WANDS

Our T-ES Design 1 has no horizontal or vertical wands.

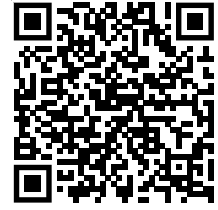
Measures in mm

### HOW TO ORDER ON DOORFINESSE

---

Click on the link below, or scan the code, to go directly to the purchase process page for our products.

**CLICK HERE TO FIND OUT HOW TO BUY**



(frame code to view page)

### DELIVERY TIMES

---

Click on the link below, or scan the code, to go directly to the delivery time page for our products.

**CLICK HERE FOR DELIVERY TIMES**



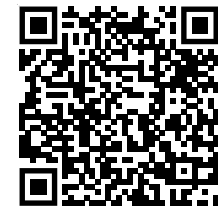
(frame code to view page)

### TRANSPORT AND UNLOADING OF PRODUCTS

---

Click on the link below, or scan the code, to go directly to our product download page.

**CLICK HERE FOR UNLOADING PRODUCTS**



(frame code to view page)

### WARRANTY AND RETURN POLICY

---

Click on the link below, or scan the code, to go directly to our product warranty page.

**CLICK HERE TO FIND OUT THE RETURN POLICY**



(frame code to view page)

### HOW TO ASSESS THE QUALITY OF GLASS

---

Click on the link below, or scan the code, to go directly to the glass quality page of our products.

**CLICK HERE TO DISCOVER THE QUALITY OF GLASS**



(frame code to view page)



### OUR SHOWROOM

Via Roma 234, 59100, Prato - Book your appointment: [info@doorfinesse.com](mailto:info@doorfinesse.com) / +39 0574 630094

